

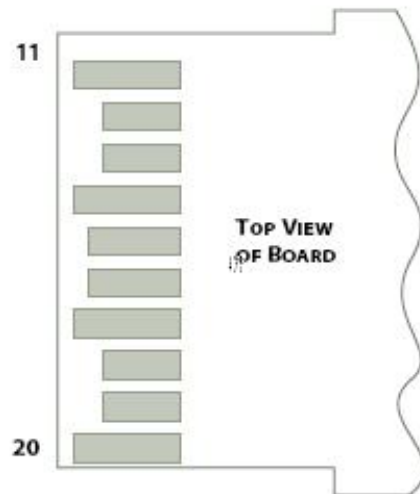
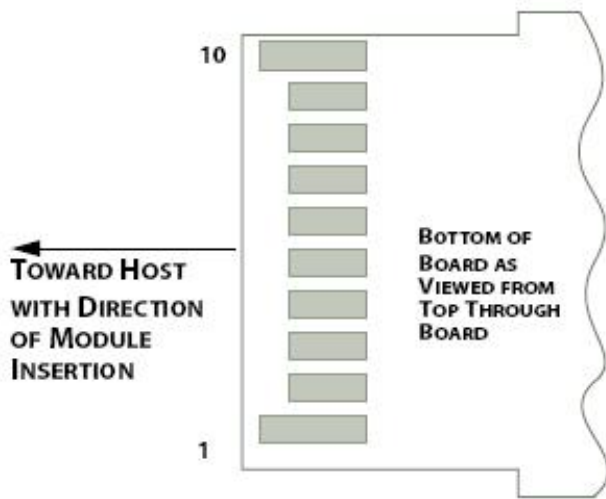
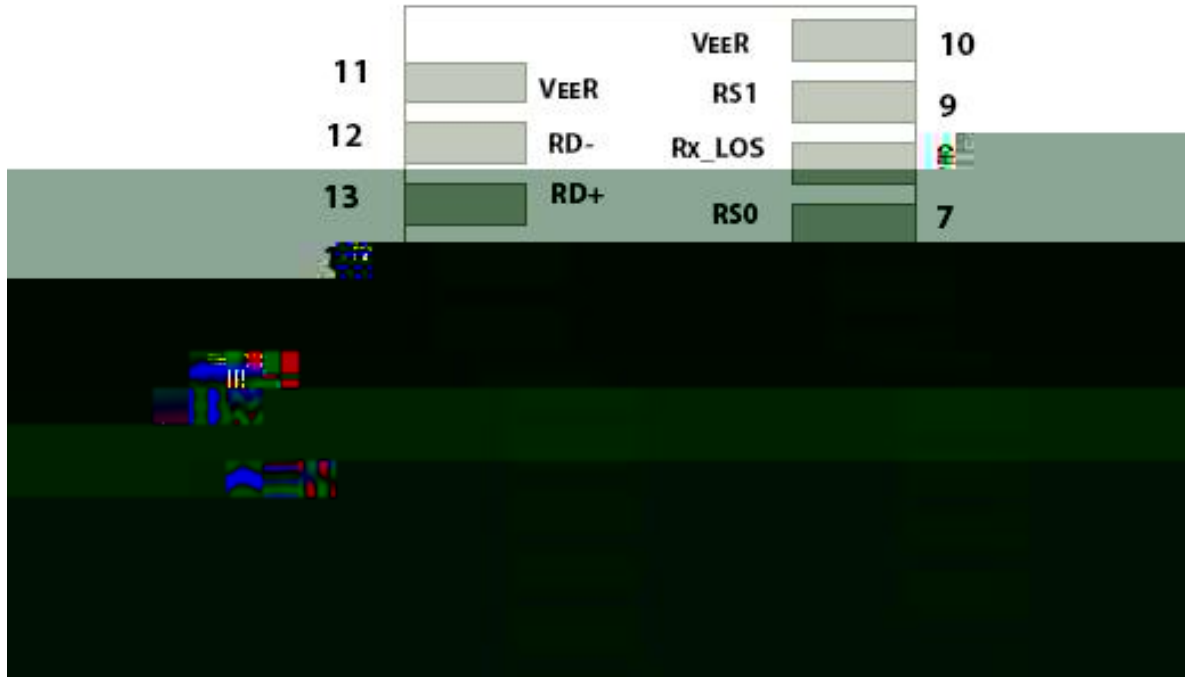


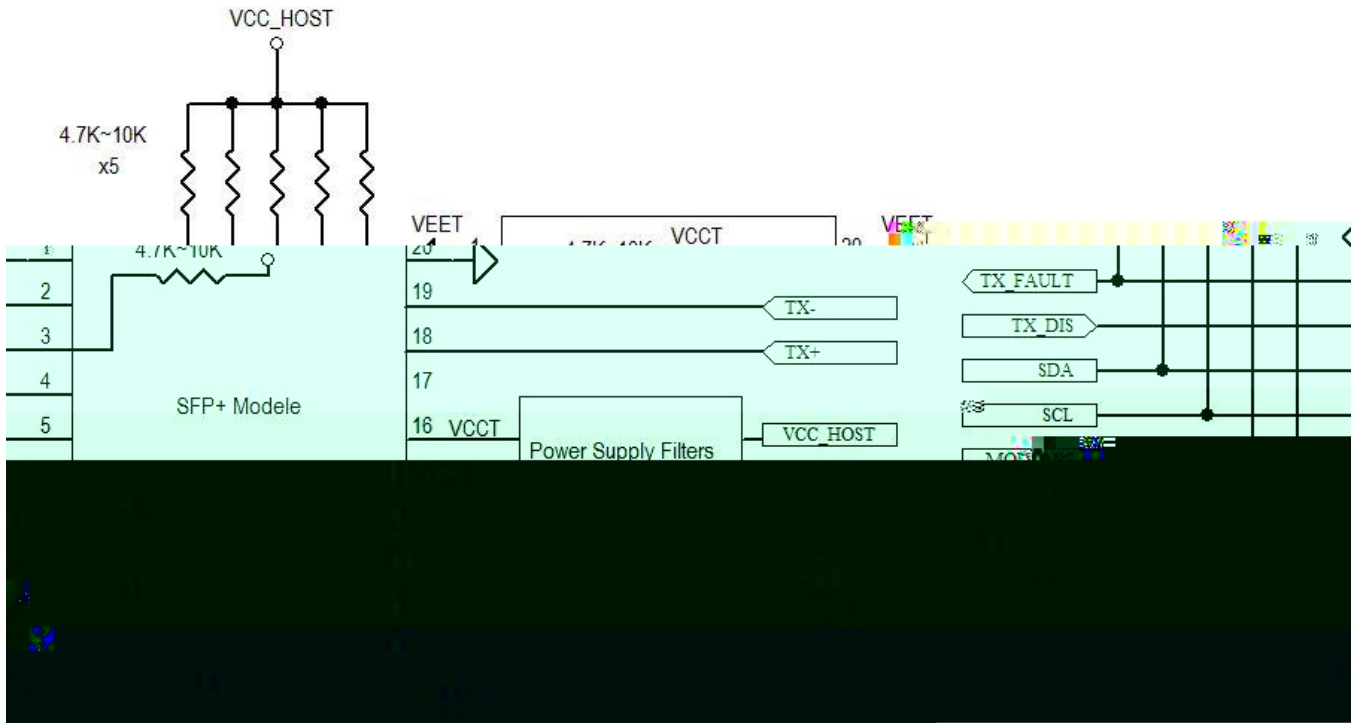
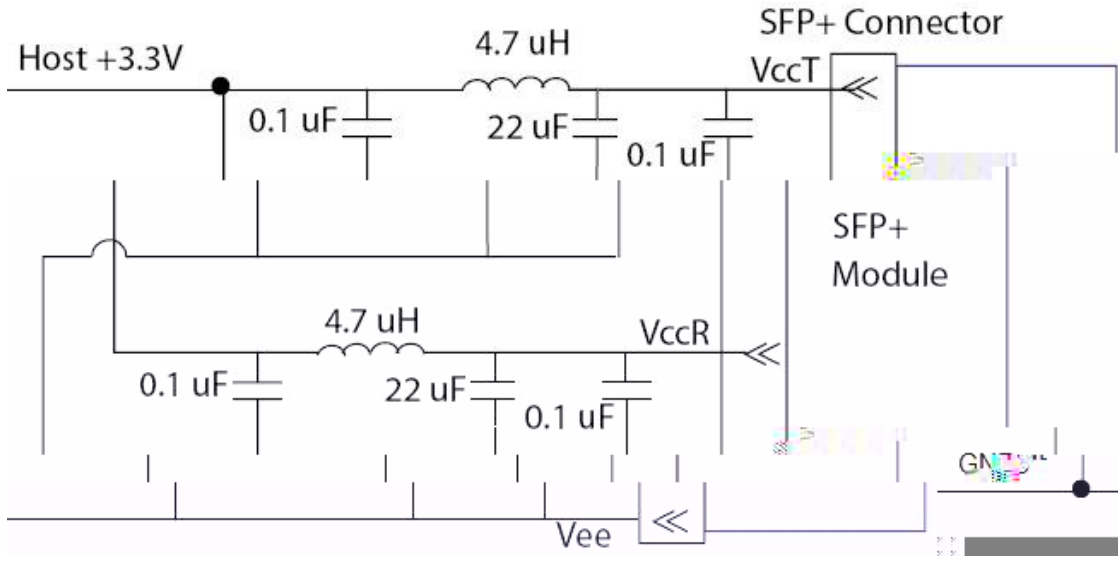
Fiber type	Minimum modal bandwidth @ 850 nm (MHz*km)	Operating range (meters)
62.5 μm MMF	160	2 to 26
	200	2 to 33
OM3 MMF	400	2 to 66
	500	2 to 82
	2000	2 to 300

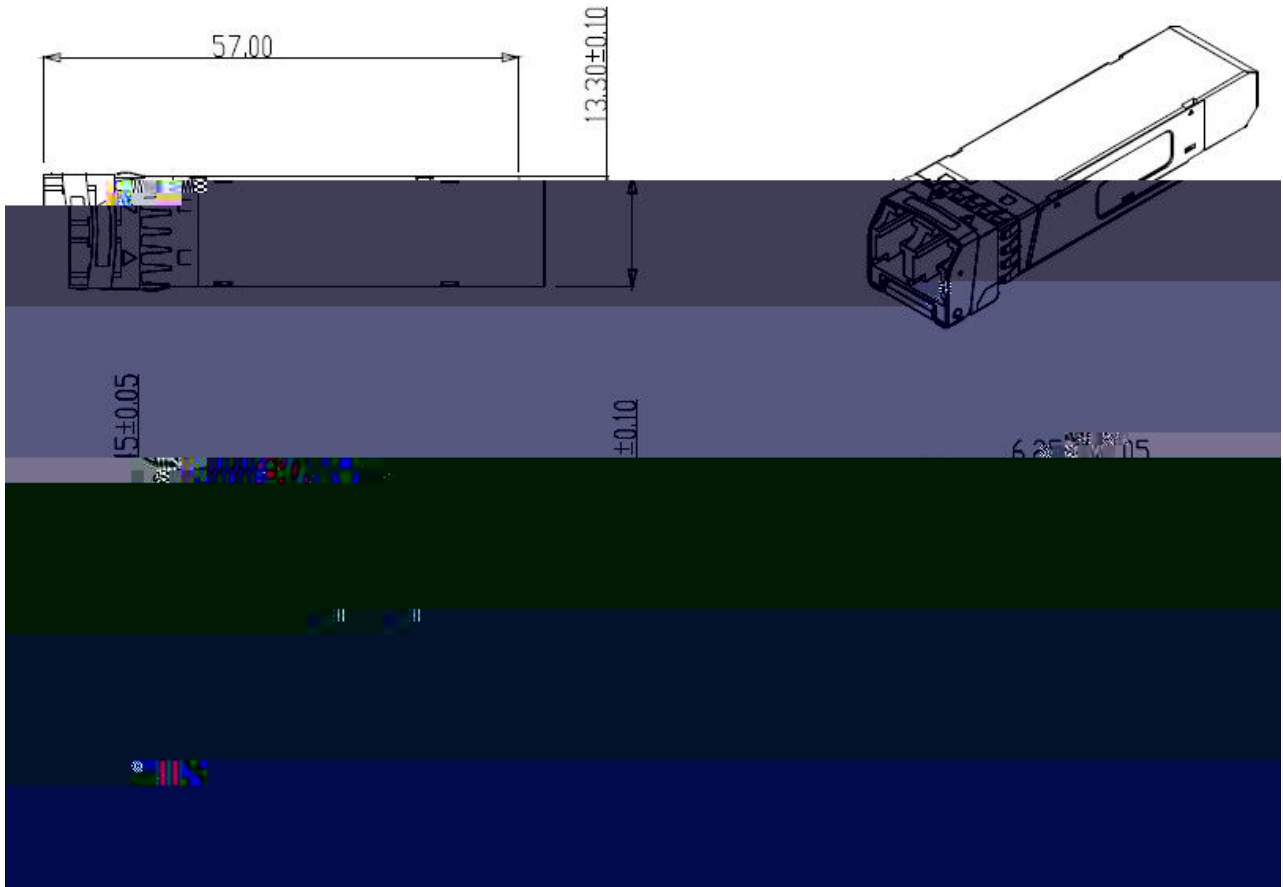


				o
				o

					o









F-tone Networks

F-TONE GROUP
